

# LEO GX SPECIFICATIONS

<b>Clock Frequency</b>	90.3168MHz (44.1kHz) 98.3040MHz (48kHz)
<b>Output Level</b>	3.3V CMOS Direct-to-DAC Design
<b>Allan Deviation</b>	2E-12 (1 second)
<b>Equivalent Jitter</b>	500 times less than an 82fs femto clock (Measured at 1Hz - 10Hz)
<b>Equivalent Phase Noise</b>	-110dBc/Hz @ 1Hz (Reference Frequency: 10MHz)
<b>Sampling Rate</b>	PCM in 44.1KHz – 384KHz DSD64 – DSD512
<b>Clock Unit</b>	Rubidium atomic clock as reference Temperature-controlled SC cut crystal oscillator
<b>Power Supply</b>	Dual Purer-Power internal linear power supply 10uV low noise design for audio circuit
<b>Noise Elimination</b>	Optical isolatoin between control and clock circuit EMI-shielding Unity Chassis
<b>System Control</b>	Switch sampling rate automatically via Lightning Link of G2 DAC
<b>Dimensions</b>	340mm*320mm*80mm (W*D*H)
<b>Weight</b>	8.1kgs

# AURALiC

Sound of Innovation



## LEO GX

Reference Master Clock

**AURALiC**  
Sound of Innovation

AURALiC North America Inc.

7990 SW Cirrus Dr, Beaverton, OR 97008 United States

1F Building No.17, 1A Chaoqian Road, Beijing, 102200, China

<http://www.auralic.com/> [info@auralic.com](mailto:info@auralic.com)

TEL: +1-(302)314-5555

TEL: +86-(0)10-57325784



# A Breakthrough in Digital System Clocking



The G2 family of devices were built to work together as one of the most technologically advanced digital audio systems available today. Now, the ARIES G2 and the VEGA G2 are joined by the amazing **LEO GX Reference Master Clock**: an astoundingly precise, super high frequency master clock that unifies your entire G2 system's digital timing, finally banishing the distorting effects of jitter forever.

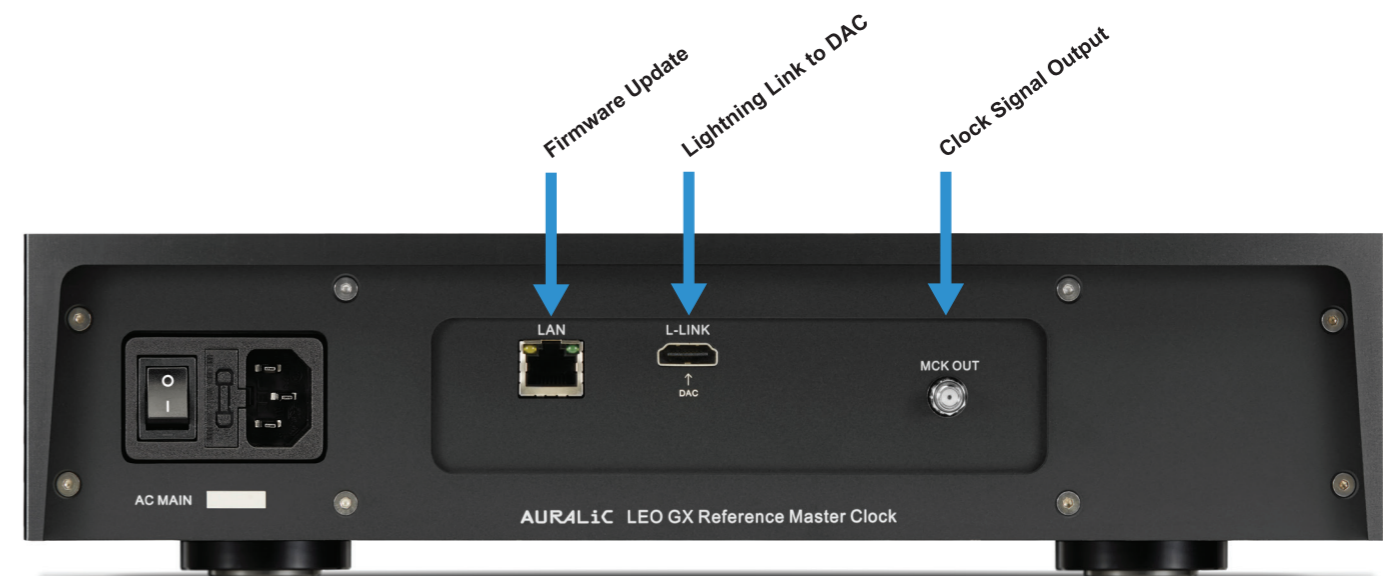
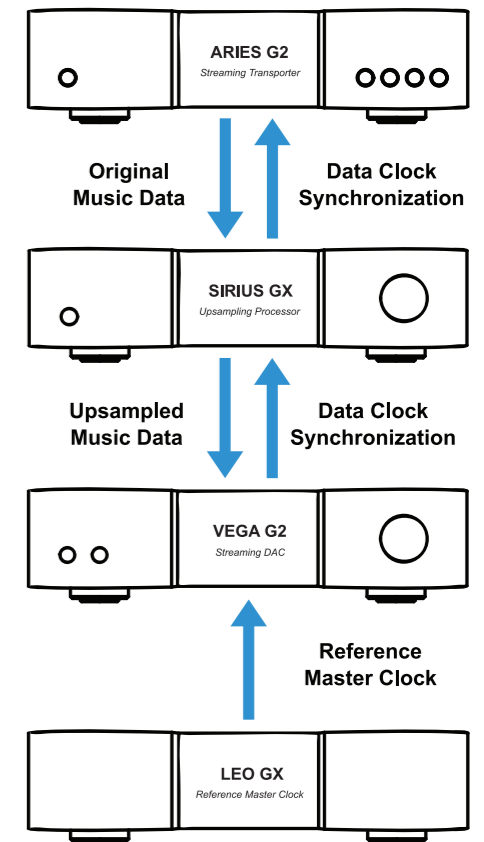
LEO GX is a breakthrough in digital audio system clocking — the first master clock ever that can feed a DAC directly with a working signal so precise we had to use new benchmarks to measure its performance. Wider staging, pinpoint locational accuracy, and an expanded dynamic range are just some of the benefits you'll hear when you implement LEO GX's one-of-a-kind approach to clocking that literally bypasses the traditional limitations of internal DAC clocks.

AURALiC built the LEO GX to enhance any system comprised of its G2 Series components, and its unique direct-to-DAC signal design works only with the VEGA G2 for now. LEO takes the "X" designation to reflect that its clocking duties will be globally applicable to future G Series systems as well as today's G2 devices.

# Lightning Link

Lightning Link is a low-jitter, bi-directional 18Gbps coupling that takes advantage of high-speed HDMI-type hardware connectors to provide a superior level of transmission control, making today's ultra-high resolution digital music shine like never before.

Different from the other HDMI-based I2S connection, the bi-directional Lightning Link opens the door to jitter-free operation of all the devices in your system connected via Lightning Link. For example, clocking information from destination devices such as the VEGA G2 can drive the ARIES G2 timing for perfect data synchronization. Lightning Link also carries system control data for everything from volume control to processor engine setup, allowing all linked AURALiC devices to appear in a single, unified control interface.



We use **Allan deviation** to represent the resolution that LEO GX is capable of, the measure of variability in short-term clock performance and phase noise expressed in extraordinary detail. The Allan deviation of the LEO GX Reference Master Clock measures at  $2E-12$  (at 1 second). **That's 500 times less jitter than an 82fs Femto clock oscillator.**